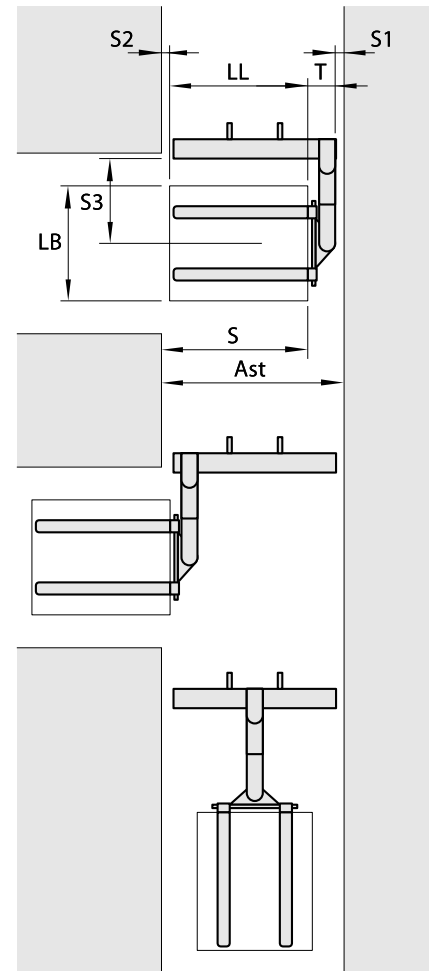
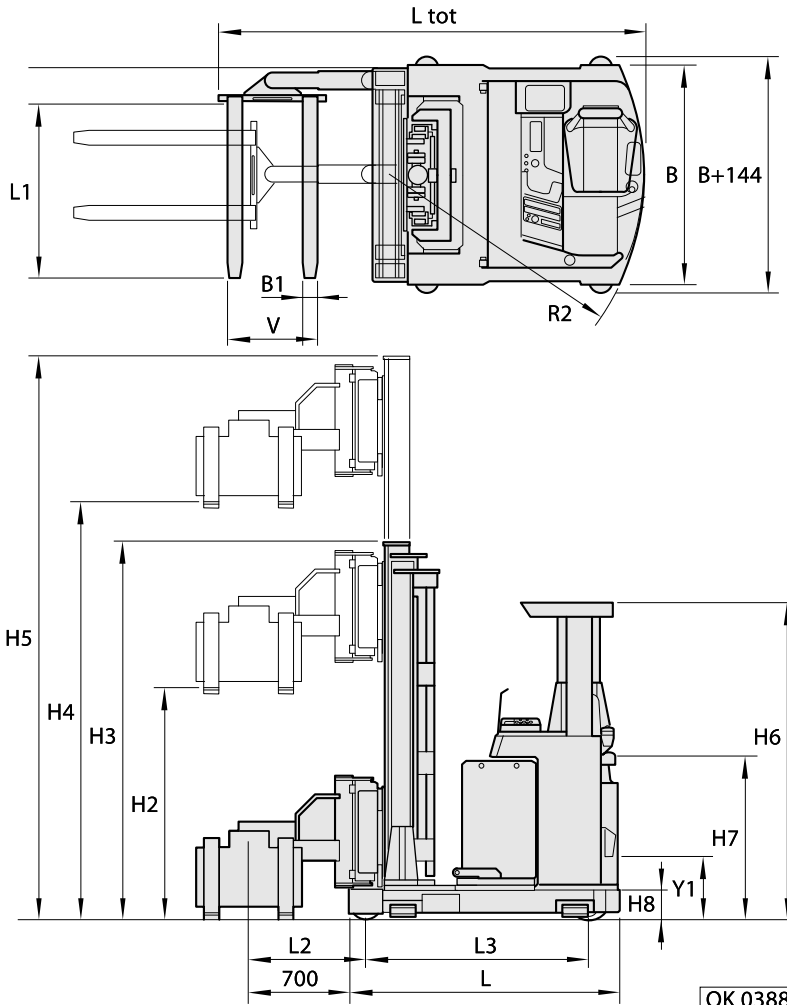


NARROW-AISLE STACKER



FORTE TERGO URF 150

180° rotating forks to stack on either side of the aisle and to the front, for handling in aisles down to 1,6 m, and free ranging around the warehouse. High stacking, high capacity in maximum comfort.



Mast type	Standard lift height H4	Min mast height H3	Max mast height H5	
Telescopic				
	Double telescopic	4950	2665	5905
		5400	2815	6355
		6600	3215	7555
		7100	3381	8055
		7950	3665	8905
		8550	3865	9505
		9150	4065	10105
		9750	4265	10705
		10350	4465	11305

ATLET

www.atlet.com

					FORTE TERGO URF 150
Lift capacities	0	Specification			
	0a	Straddle leg position			
	1	Lift capacity	Q	kg	1500
	1a	Load centre	D	mm	600
	2	Lift height	H4	mm	See table
	2a	Mast height	H3/H5	mm	See table
	2b	Transport free lift	H2 TV mast	mm	
	2c	Full free lift	H2 DT mast	mm	H3 - 931
	2d	Straddle lift		mm	
	3	Mast tilt. Forward - backward			
3a	Tilting forks. Forward - backward				
4	Lift speed. Without load - with load		m/s	0,43 - 0,37	
4a	Lift time. Without load - with load		s		
4b	Lift speed, ergolift. Without load - with load		m/s		
5	Lowering speed. Without load - with load		m/s	0,56 - 0,55	
5a	Lowering time. Without load - with load		s		
Drive capacities	6	Drive speed. Without load - with load		km/h	14,0 - 13,2
		Drive speed. Without load - with load		m/s	3,9 - 3,7
	6a	Acceleration 0-10 km/h			
		Without load - with load		s	5,3 - 6,5
	8	Gradient, without load / with load	max	%	
	10	Turning radius	R2	mm	1748
	11	Smallest practical stacking aisle incl 200 mm play			
		Load length 1200 mm	Ast	mm	1600
		Load length 1000 mm	Ast	mm	
		Load length 800 mm	Ast	mm	
Aisle width requirement according to BITA GN9 UK market only					
		A1	mm		
		A2	mm		
		A3	mm		
	Smallest practical stacking aisle with pallet LL 1200 with the platform				
	folded up/folded down				
11a	Intersecting aisle width. Load length 1200 mm	Min	mm	3700	
11c	Max load length	LL	mm	1200	
11d	Max load width	LB	mm	1200	
Truck measurements	13	Height of overhead guard	H6	mm	2155
	13a	Height of driver seat	H7	mm	1050
	13b	Step-in height	Y1	mm	430
	13c	Floor height		mm	590
	13d	Width of open gate		mm	
	14	Truck length	L	mm	1864
	15	Truck width	B	mm	1450
	15a	Width over guide wheels	A	mm	1594
	15b	Width over stabilisers	S	mm	
	15c	Platform length		mm	
	15d	Platform width	B3	mm	
	15e	Height of platform gates		mm	
	16	Fork length	L1	mm	800/1000/1150
	17	Width over forks	V max/min	mm	710 / 520
	17a	Width between forks		mm	
	18	Reach length	U	mm	
	19	Distance from back plate to retracted fork heel	L4 T-mast	mm	
		Distance from back plate to retracted fork heel	L4 DT-mast	mm	
	20	Fork arm, width - thickness	B1	mm	100 - 40
	20a	Fork height, min	H1	mm	53
21	Straddle height	H8	mm	230	
22	Width between straddles	B2	mm		
22a	Width over straddles		mm		
23	Distance between front axle and retracted fork heel	L2	mm		
23a	Distance between front axle and centre of attachment	L2	mm	817	
23b	Distance between front axle and heel of extended fork	X1	mm		
24	Axle distance	L3	mm	1534	
25	Wheel track, front rear (centre lines wheels)		mm	1312 - 0	
26	Ground clearance at half axle distance		mm	55	
Weights	27	Total weight with-without battery.		kg	6100 / 4800
	28	Max axle pressure, fork side, without/ with classified load		kg	3500 / 5800
	29	Max axle load, drive side, without/with classified load		kg	2700 / 2000
	30	Max wheel point loading, without/with classified load		MPa	5,1 - 5,7
Motors	39	Battery capacity		kWh/Ah	26,9 - 44,6 / 560-930
	39a	Battery voltage		V	48
	41	Drive motor		kW	7,5
	42	Speed regulation			Transistor
	43	Lift motor. Output/Interm. conn.time		kW-%/min	14
43a	Hydraulic pressure		MPa	21,0	
Steering/brake system	44	Wheel type, drive wheel/others			Vulcollan
	44a	Number of wheels, drive/castor - load wheels			1 - 4
	45	Wheel dimensions			
	45a	Load wheels - diameter x width		mm	(4) 200x110
	45b	Drive wheel - diameter x width		mm	(1) 350x140
	45c	Castor wheels - diameter x width		mm	
	46	Steering			El. servo
	47	Service brake - Type-acting on			El. - drive motor
48	Parking brake - Type-acting on.			Mech. - drive motor	

2013-04-23

* Varies according to battery size

All rights reserved to change above specification